

SUPER GRIP FLEXIBLE TOOL TRAY 3PCS SET

53903

1,43

10

Kg

11

- Non-slip.
- Ideal for all workplace conditions to keep tools within reach.
- Easy to carry.
- Oil resistant.
- Bears temperatures up to 140°C degree.
- Ruler integrated on both sides of the tray.

- Separated compartments to keep tools well organized.
- Unique sucking disc for extra grip on flat surfaces.

- Small: 285x137x27mm
- Medium: 285x202x27mm
- Large: 543x300x27mm
- Material: soft rubber

SMALL TRAY

15010

0,31

20

Kg

11

MEDIUM TRAY

15011

0,31

20

Kg

11

LARGE TRAY

15012

0,82

10

Kg

11



FLEXIBLE MAGNETIC TRAY

- Plastic tray flap to hold screws, bolts and small parts.

52516

0,42

6

24

1.152

Kg

Sub

11

11

- Top diameter: 225mm.
- Base diameter: 87mm.
- Max depth: 127mm.
- Min. depth: 43mm.

52517

5,02

12

72

1.152

Kg

Sub

11

11

- Top diameter: 135mm.
- Base diameter: 53mm.
- Max Depth: 90mm.
- Min. Depth: 31mm.



MAGNETIC TRAY

52466

0,43

1

20

180

Kg

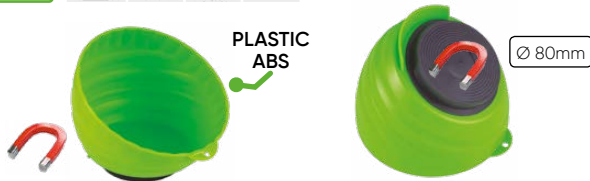
Sub

11

11

∅ 150mm

112mm



PLASTIC ABS

∅ 80mm

MAGNETIZED ROUND TRAY

50787

0,31

36

648

Kg

11

11

x1

∅ 150mm



50788

0,62

24

432

Kg

11

11

x1

239 x 139mm



MAGNETIC HOLDER

52467

0,5

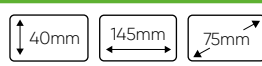
24

1.008

Kg

11

11



- Powerful magnet, padded to avoid damaging surfaces.



SET OF 2 MAGNETIZED SHELVES

50790

1,17

12

96

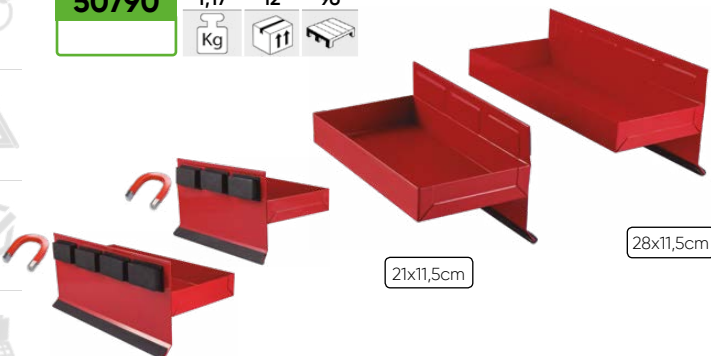
Kg

11

11

21x11,5cm

28x11,5cm



SET OF 5 MAGNETS

53958

0,05

10

100

Kg

Sub

11

5
PCS

NEODYMIUM
MAGNETS

∅ 15mm



MAGNETIC HOOKS FOR PNEUMATIC TOOLS

52378

0,36

10

40

720

Kg

Sub

11

11

3KG

∅ 60mm



51341

1,62

12

96

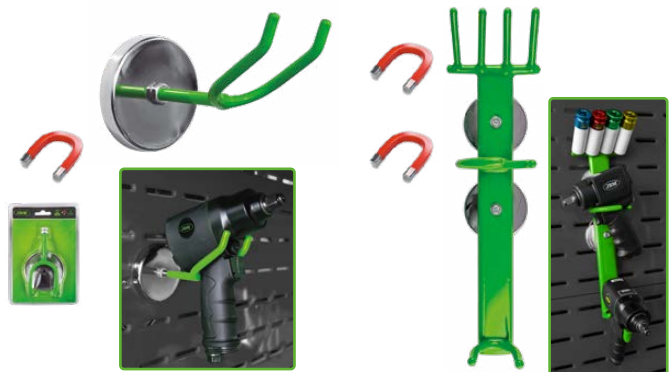
Kg

11

11

9KG

∅ 70mm



MAGNETIC BAR FOR TOOLS

50789

0,89

10

20

300

Kg

Sub

11

11

600mm

